



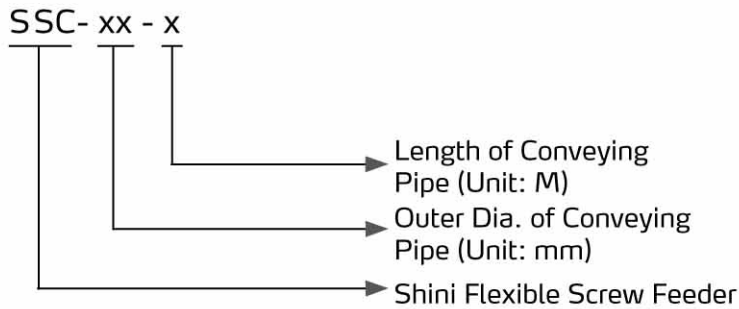
Flexible Screw Feeder

SSC-50 & MST-S



Refer carefully to this manual before operation.

■ Coding Principle



CE= CE Conformity



Material Outlet

■ Features

- Evenly mix different materials and effectively avoid material stratification during conveying process.
- Motor-driven spiral screw ensures low noise level in operation.
- Fully closed conveying line, free from contamination.
- Flexible conveying line brings maximum convenience of installation, best compatibility with other conveying equipments, no wearing due to friction and no material blockage.
- Flexible design, easy for installation and maintenance.
- Reverse phase protector is adopted to avoid that the motor is incapable of conveying materials because of motor reversal.
- Standard conveying pipeline is 5mm/197.5inch which can reach be lengthened to 7mm/276inch.

■ Application

SSC series flexible screw feeders adopt motor-driven screws for raw material conveying, applicable to convey regrinds, virgin materials, powders and their mixtures with features of low noise level, easy installation and maintenance. Two models of SSC-50/65 available with max. horizontal conveying capacity of up to 1,900kg/hr(4,189lb/hr). Besides using in plastic industry, they can also be applied in food, chemistry, pharmacy and other fields.

■ Options

- Combined application with our mixers, Crystallizer and storage bins.
- Applicable to match with special stainless steel made storage tanks, add "P" at the end of model code for hopper inside polished ones.

SSC Series

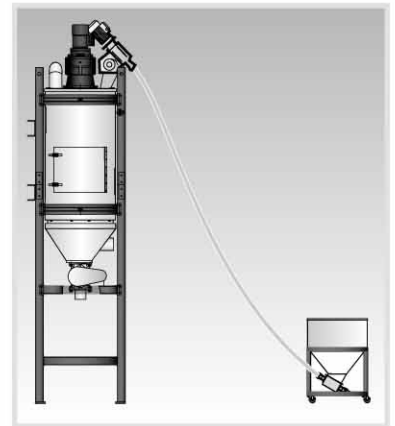
Material Storage Tank



There are five models of SSC series customized material storage tanks, which can work with any model of SSC series machine. This material storage tank has movable floor stand for easy installation and cleaning. It adopts square hopper design to fully utilize the space. The maximum capacity can be 500Kg/1,102lb. and all material discharge outlets are 210×110mm/8.3×4.3inch, applicable to convey and storage of powder, regrind, virgin material and mixtures.

Model	MST-	100S	200S	300S	500S
H	mm	1180	1290	1540	1630
	inch	46.5	50.8	60.6	64.2
W	mm	615	815	930	1240
	inch	24.2	32	36.6	48.8
D	mm	615	815	930	1240
	inch	24.2	32	36.6	48.8
Weight	kg	52	66	80	110
	lb	115	146	176	243

Installation



Specifications

Model	Outer Dia.		Motor Power (kW, 50/60Hz)	Motor Rotating Speed (rpm, 50/60Hz)	Radius		Bulk Density		Material	Conveying Capacity(50/60Hz)				
	mm	inch			mm	inch	kg/L	lb/gal		A=0°		A=45°		
SSC-50	Φ 50	Φ 2	0.75/0.85	910/1090	1,200	47.2	0.8	6.7	Pellet	800/900	1,764/1,984	700/840	1,543/1,852	
							0.7	5.8		Powder	450/540	992/1,190	350/420	772/926
							0.3	2.5			Sheet	300/360	661/794	250/300
SSC-65	Φ 65	Φ 2.5	1.1/1.26	910/1090	1,400	55	0.8	6.7	Pellet	1,900/2,280		4,189/5,026	1,400/1,680	3,086/3,074
							0.7	5.8		Powder	1,000/1,200	2,205/2,646	800/960	1,543/2,116
							0.3	2.5			Sheet	600/720	1,323/1,587	500/600

Notes: 1) Material conveying can be realized as the conveying pipeline is less than 7m/23Feet; the spring is inclined to fracture once the pipeline is more than 7meters/23Feet.

- Bending radius of conveying pipeline should be more than 1.5m/59inch and its bending angle should be more than 120°C/248°F to prevent overload, material blockage or spring fracture.
- To be conveyed granule dia. : For SSC-40/50, it should be less than 4mm/0.16inch and for SSC-65, it should be less than 6mm/0.24inch or material could easily get stuck. Also we suggest not use it to convey flakes with more than 15mm in/0.59inch length.
- Power supply: 3Φ, 230/400/460/575V, 50/60Hz.

We reserve the right to change specifications without prior notice.

Shini Group

Addr: No. 23, Minhe St., Shulin Dist.,
New Taipei, Taiwan

Tel: +886 2 2680 9119

Fax: +886 2 2680 9229

Email: shini@shini.com

Factories:

- Taiwan
- Dongguan
- Pinghu
- Ningbo
- Chongqing
- Pune

2015-08-15-04 Copyrights Reserved.

www.shini.com